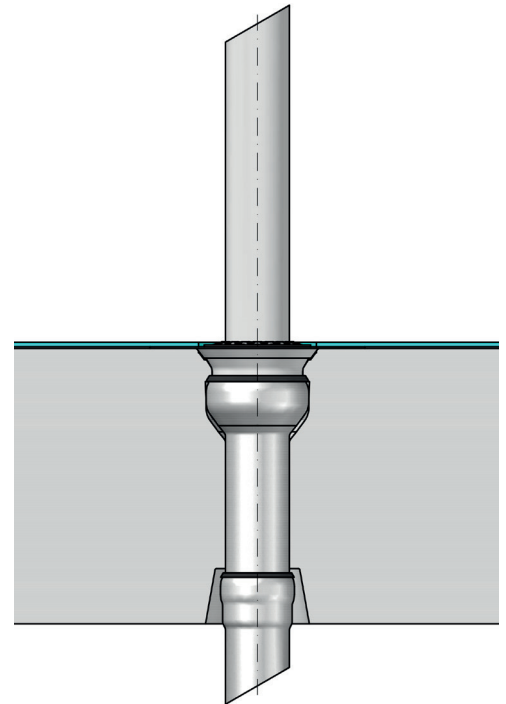


Specification Sheet LX 1222

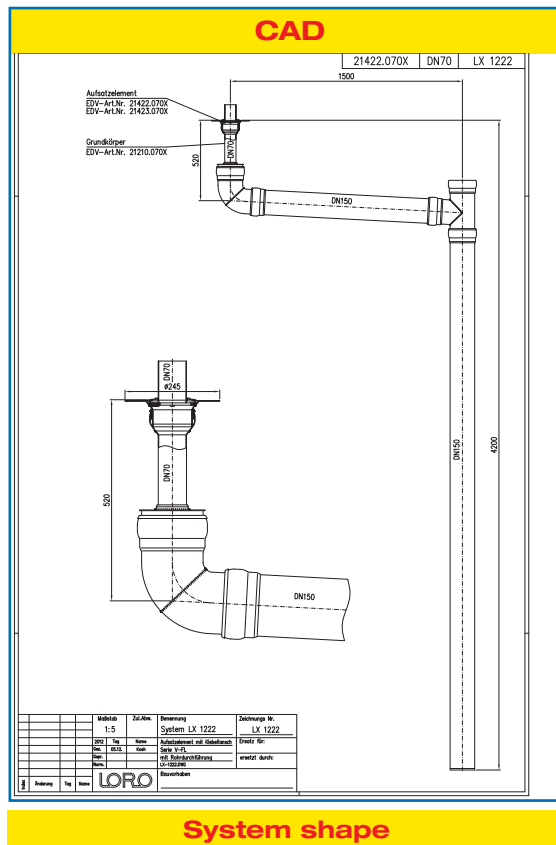
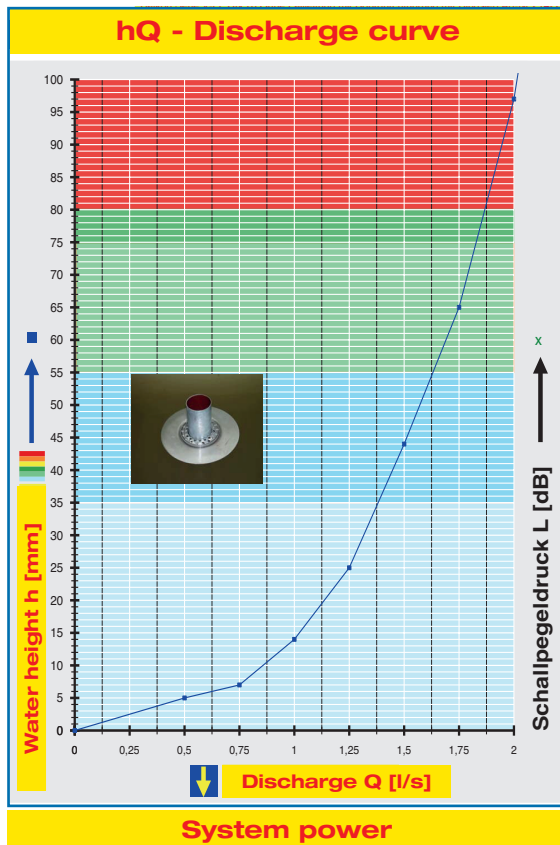
**Balcony Drainage
Balcony Drain Series V-FL**

Main drainage	
Gravity flow	
Silent	
Discharge:	1.3 l/s
Water height:	35 mm
Roof penetration:	-
Diameter:	DN 70
LX-Number:	LX 1222
Weir height:	0 mm
Drain:	ventilated
Downpipe:	not ventilated
Downpipe height:	2.75 m
Drainage:	into ground pipe



LX 1222 Piece list

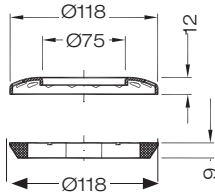
Please choose set up elements and extension cartridge on page 2!



Water height	mm	10	15	20	25	30	35	40	45	50	55	60	65	70	75	
Discharge	l/s	0,75	0,90	1,10	1,20	1,25	1,30	1,40	1,50	1,55	1,60	1,65	1,70	1,75	1,80	
		Silent														

Please choose suitable set up elements and extension unit!

DN 70

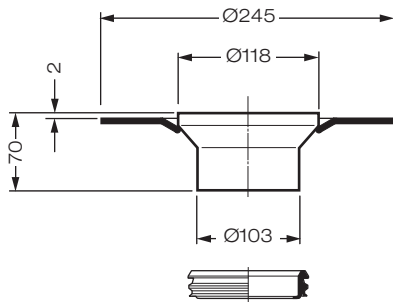


Strainer unit

consisting of: strainer, round, **with** pipe penetration, support ring

Art.-No. 20422.070X

Weight: 0.12 kg



one-piece version

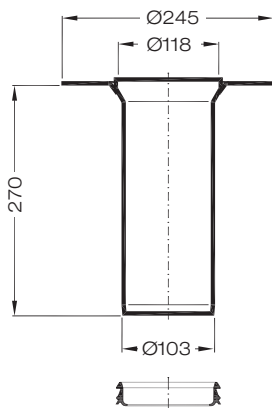
LX1222-12X

Set up element, Series V-FL

with bonding flange, for sealing with liquid plastic, made of stainless steel

Art.-No. 20420.070X

Weight: 1.05 kg



two-piece version

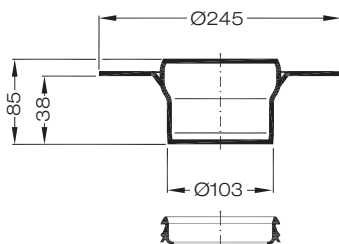
LX1222-13X

Extension unit

for thermally insulated balconies, **Series V-FL** with bonding flange, for sealing with liquid plastic, consisting of: extension unit with bonding flange, sealing element DN 100

Art.-No. 20425.070X

Weight: 1.8 kg



Set up element with socket

for thermally insulated balconies, **Series V-FL** with bonding flange, for sealing with liquid plastic

Art.-No. 20426.070X

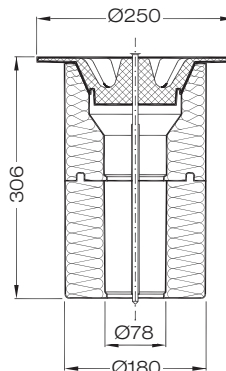
Weight: 1.0 kg

Base unit

Art.-No. 21400.070X
consisting of:



- 1 **Formwork mushroom**
Art.-No. 18110.070X
- 2 **Base body**
Art.-No. 21210.070X
- 3 **Formwork dome**
Art.-No. 18100.070X



Thermal insulation base unit

consisting of: formwork mushroom, thermal insulation body and fastening screw

Art.-No. 21401.070X

Weight: 0.7 kg

Attention:
The base body 21210.070X has to be ordered separately!